

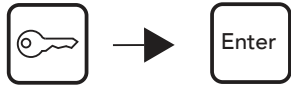
QUICK START GUIDE



4.1 MilchMobil

This document gives you a brief overview about how to Start up a MilchMobil.

Unlock



Operational modes **SET**

Setting mode, when the MilchMobil is connected to the mains.



AUTO **Feed mode**, when the MilchMobil is disconnected from the mains.



1 Filling the water bath

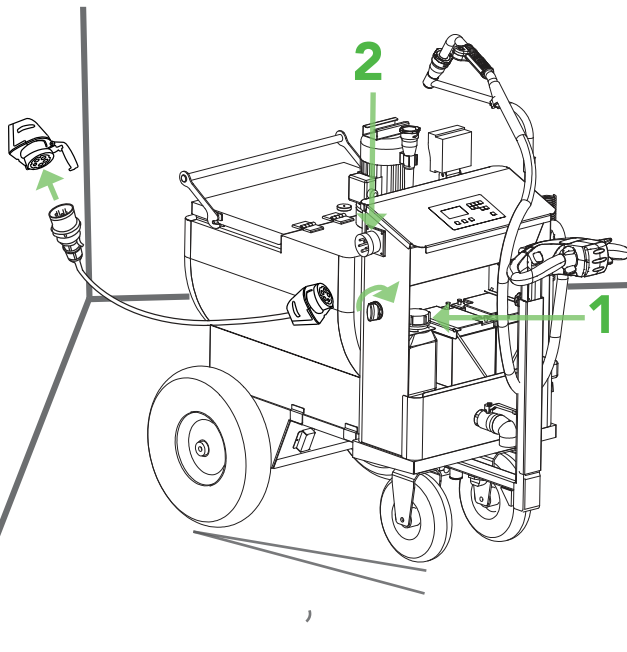
Slightly tilt the MilchMobil

SET

2 Plug in & turn on

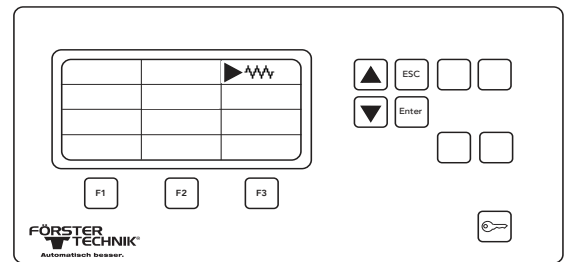
Charge the battery 6-8 hours

SET



4 Heating adjustment

SET



Note: Set frost protection

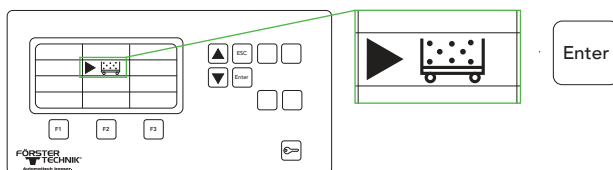
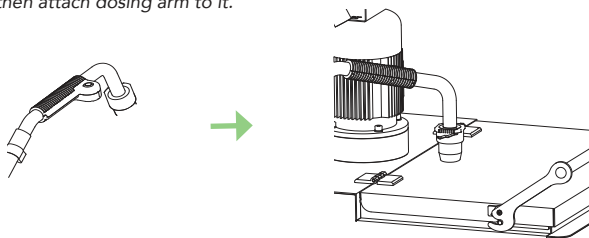


3 Cleaning

Once before commissioning & after each feeding

Attention! First insert the cleaning nozzle loosely into the opening provided, then attach dosing arm to it.

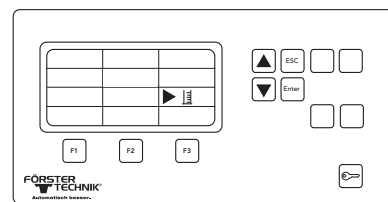
SET



5 Calibration

SET

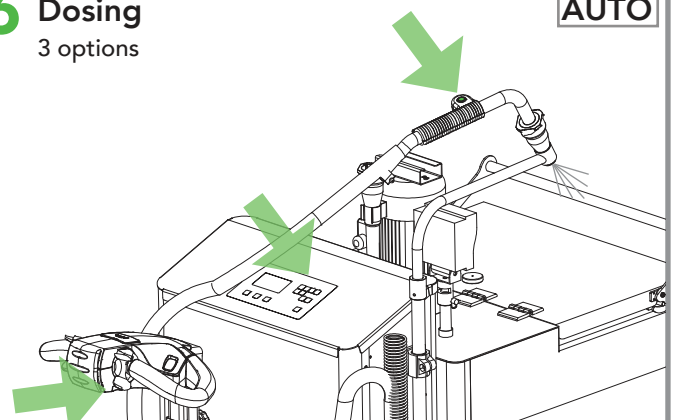
To ensure that the dosing pump can exactly dose the specified amount of water, you must perform a calibration during commissioning. Keep a measuring cup ready for calibration.



6 Dosing

3 options

AUTO



This checklist refers to the basic equipment of the MilchMobil. Not all available functions can be shown.

For detailed information and valid warnings as well as safety instructions, please refer to the instructions manual. (Status 21/07)