



QUICK START GUIDE



Automatic calf feeder

2.1 SynchroFeed (IFS) single and quadruple

This document provides a brief overview of how to set up a single or quadruple IFS.

1 Mount the SynchroFeed feeding station

Not higher than the teat and near to the automatic feeder.
The maximum length of the suction hose with pump = 8m.

2 Establish ground connection

3 Insert the pump hose into the servo pump

The pump hose (from Förster-Technik) has to lie against the pumps housing in the top half.

4 Mount the power supply unit

5 Mount the pressure sensor

Close to the teat but min. 35 cm/14" below.

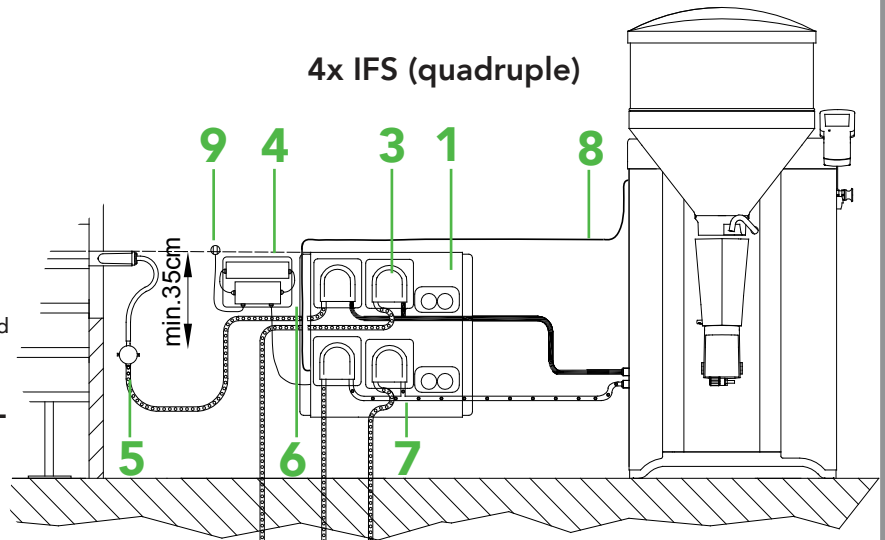
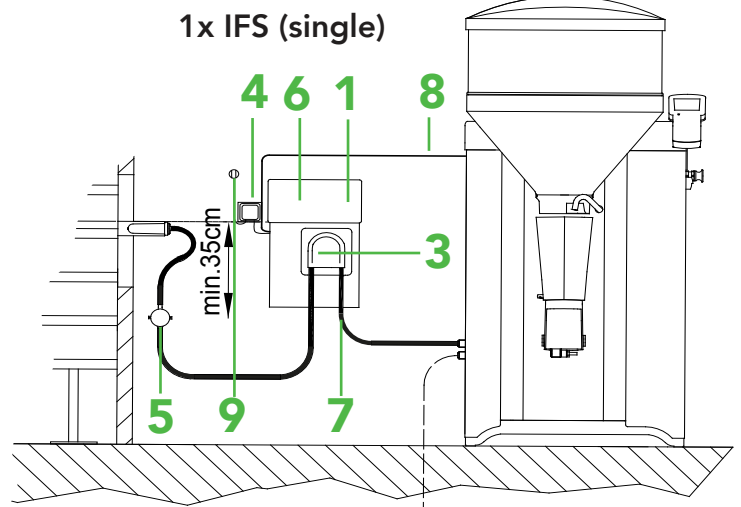
6 Connect the antenna to the IFS

7 Connect the suction hose & prepare rinse return flow

Per feeding station a complete suction hose should not be longer than 8 m/24'.

8 Connect IFS and feeder via CAN-bus cable

9 Connect the power supply



10 Register the IFS feed station

Turn off feeder → keep pressed → turn on the feeder and hold button until the Setup menu is displayed.

→ →

or

4x IFS-Feed is automatically „parallel“

< IFS-Feed 1 >

alloc.: [station 1]

address: 41

type: → To feed simultaneously

< IFS-Feed quad. >

pump 1: [station 1]

pump 2: [station 2]

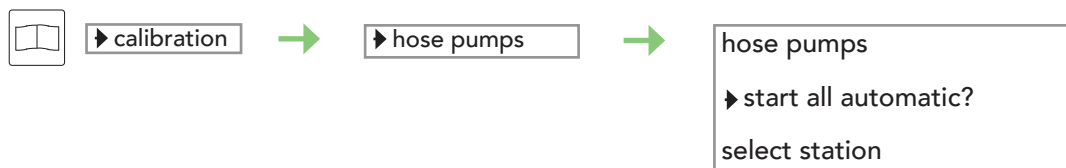
pump 3: [station 3]

pump 4: [station 4]

address: 61

Press „search“ to connect the IFS.
Tip: If the IFS does not connect, press the corresponding button on the IFS board.

11 Calibrate the IFS

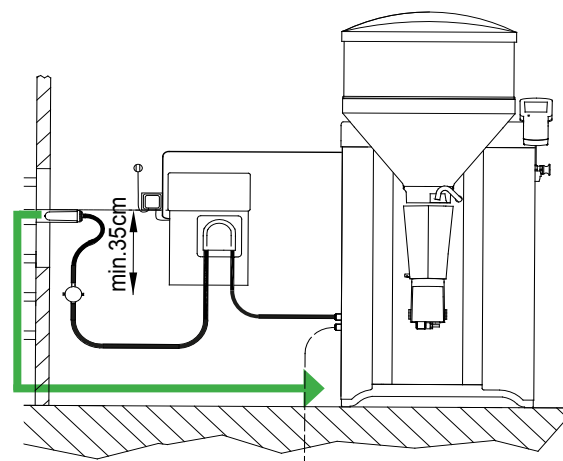


12 Perform cleaning

Connect suction hose and flushing return line.



— suction hose
— flushing return line



13 Further Information

→ The pump speed can be adjusted for each individual group.



→ Only use Förster-Technik teats with open ends. Don't use teats with a cross cut, these could damage the pump.

→ Have the suction hose replaced by a technician if damaged.

→ Don't ignore calibration warnings. If warnings come back daily, check pump and replace pump hose by a technician if necessary.

→ Clean the membrane of the pressure sensor at least every 3 months with warm water. Replace if damaged or out of shape.

→ Only use Förster-Technik hoses.