

QUICK START GUIDE

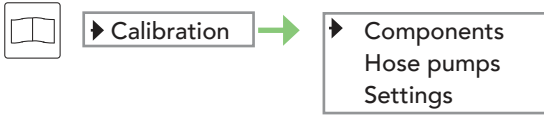
Calf Feeder

1.11 Basic Check

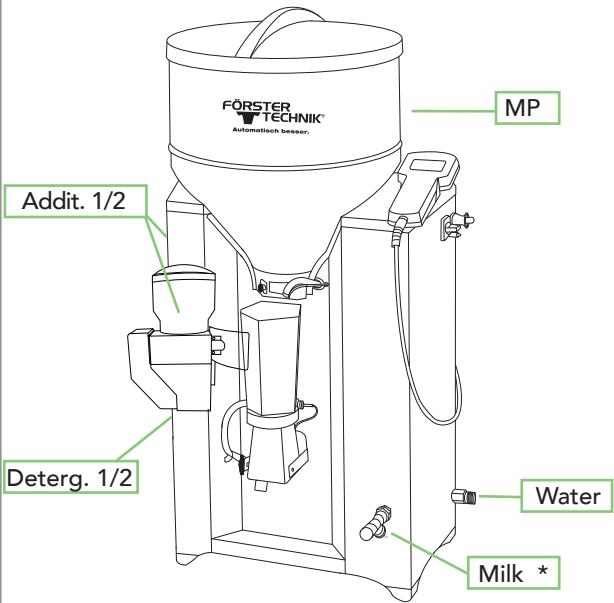
This document serves as a protocol to check the basic functions of a calf feeder.

1 Calibration

HINT: A detailed description of the calibration can be found in the QuickStartGuides 1.3 Manual calibration or 1.4 Automatic calibration.



Note: The availability of the individual components varies with the respective equipment of the device.



Last calibration?		Can calibration be run successfully without errors?	
	Date	Runtime	OK?
MP	_____	_____	<input type="checkbox"/>
Water	_____	_____	<input type="checkbox"/>
Milk *	_____	_____	<input type="checkbox"/>
Deterg. 1	_____	_____	<input type="checkbox"/>
Deterg. 2	_____	_____	<input type="checkbox"/>
Addit. 1	_____	_____	<input type="checkbox"/>
Addit. 2	_____	_____	<input type="checkbox"/>

* = Combi feeders

2 Cleaning

Note: Compare the settings and the application recommendations of the detergents used.

2.1 Check cleaning settings and detergent supply



Temperature 1:	[45.0 °C]
Temperature 2:	[45.0 °C]
Detergent 1:	5 ml / L
Detergent 2:	5 ml / L

Detergent 1/2



Detergent supply

OK?

Deterg. 1
Deterg. 2

2.2 Check cleaning effect



3 Functionality check of the mixer electrode

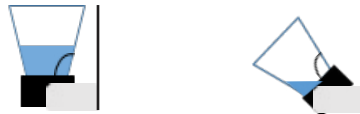
To ensure and maintain the operation of the automatic feeder.



Electrode test OK?

Sensors	Target	Ok?	or	Target	Ok?
Elec. Point: *	covered	<input type="checkbox"/>		free	<input type="checkbox"/>
Elec. Bar:	covered	<input type="checkbox"/>		free	<input type="checkbox"/>

* Point electrode only for VARIO-Feeders!



Electrode test failed? Check the following aspects: OK?

- Heat shrink hose over bar electrode intact?
- Cable to main board intact?
- Plug inside the machine housing intact?
- No humidity in the plug?
- Connector on the board plugged into the correct socket?

4 Valve block test

Ensure that the valves connected to the valve block are tight so that the liquid in the mixer can only drain through the valves / connections provided for this purpose.

4.1 → Empty mixer? →

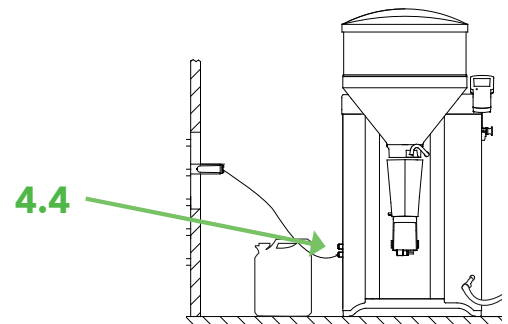
4.2 → Water Bo. start? →

4.3 Check function of training pump

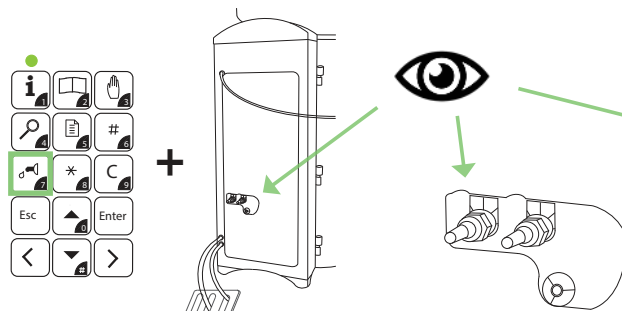
OK?	No?	
<input type="checkbox"/>	↳ Check fuse F30	<input type="checkbox"/>
	↳ Replace training pump	<input type="checkbox"/>

4.4 Disconnect suction hose from hose coupling

4.5 Leak test



When the mixer is full and the training pump is activated, no water should leak through the feed station valves or the drain valve. Water should drain out of the IFS connections.



a) Valve station(s)

OK?	St. 1	St. 2	Drain valve
<input type="checkbox"/>	<input type="checkbox"/>	<input type="checkbox"/>	<input type="checkbox"/>

b) Combination with IFS- Station(s)

OK?	St. 1	St. 2	St. 3	St. 4	Drain valve
<input type="checkbox"/>	<input type="checkbox"/>	<input type="checkbox"/>	<input type="checkbox"/>	<input type="checkbox"/>	<input type="checkbox"/>